

**Flexy Compact**  
**Cashier unit with one stainless steel**  
**tubular tray slider on customer side,**  
**H=900mm**

ITEM # \_\_\_\_\_

MODEL # \_\_\_\_\_

NAME # \_\_\_\_\_

SIS # \_\_\_\_\_

AIA # \_\_\_\_\_


**322111 (F30N0AF00W)**

Cashier unit with one stainless steel tubular tray slider on customer side, H=900mm

### Short Form Specification

**Item No.** \_\_\_\_\_

Compact design, ideal for space saving environments. Stainless steel tubular tray slider on customer side. Unit mounted on 150 mm high feet. Sturdy body construction with laminated panelings on 4 sides. 900mm worktop height. Unit has protective panelling and is designed to accommodate a cash-register with enough room for the operator's chair. Supplied as standard with a drawer with a lock and key. Available in left or right configuration.

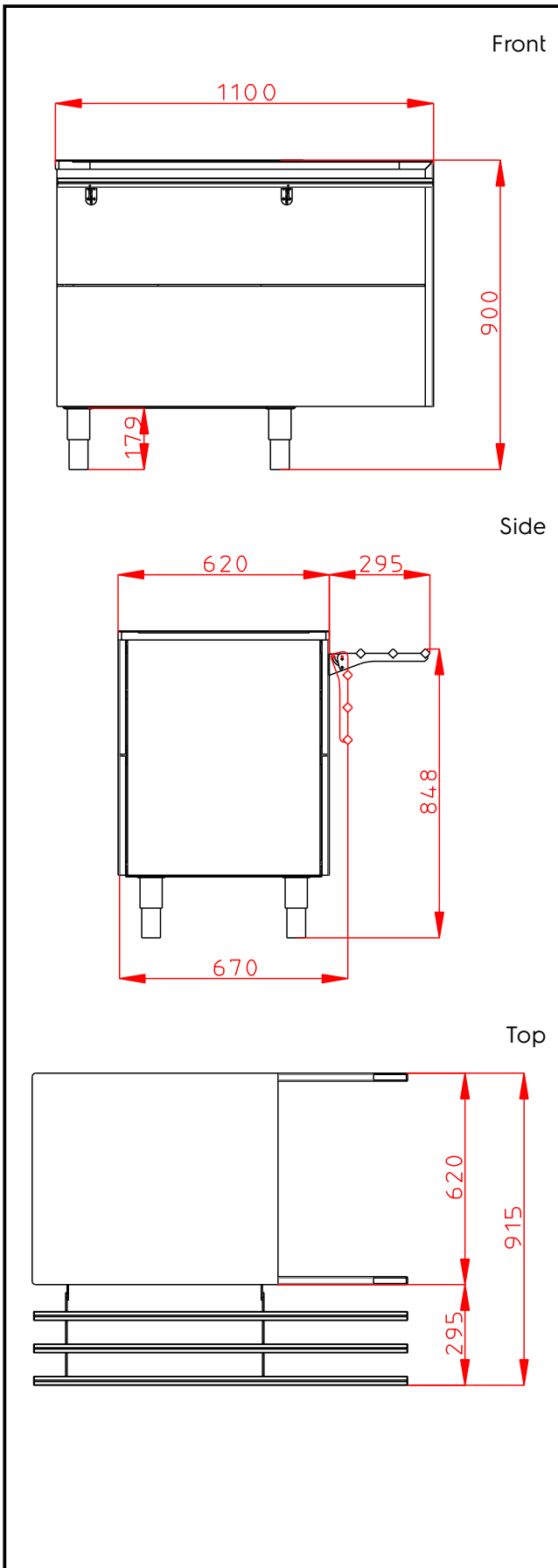
### Main Features

- CB and CE certified by a third party notified body.
- Tray slider in tubular stainless steel is installed on the customer side and it can also be folded down to facilitate passage of the units through doorways.
- Ideal for servery lines with an operator.
- Unit mounted on 150 mm high feet.
- Available options with online configurator: colors, tray sliders, overshelves, feet/wheels with desired diameter, height 750mm for kids.
- Optional plinth can be installed to cover the feet or the wheels.
- Unit has protective panelling and is designed to accommodate a cash-register with enough room for the operator's chair.
- Supplied as standard with a drawer with a lock and key.
- Available in left or right configuration.
- Perfect compact design makes it ideal for space saving environments.
- Food introduced at the correct temperature maintains its core temperature according to Afnor Standards.

### Construction

- Top in AISI 304.
- Sturdy construction with laminated panelings on 4 sides.

**APPROVAL:** \_\_\_\_\_





**Electrolux**  
PROFESSIONAL

**Flexy Compact**  
Cashier unit with one stainless steel tubular  
tray slider on customer side, H=900mm

### Key Information:

N° of doors:	
External dimensions, Width:	1100 mm
External dimensions, Depth:	915 mm
External dimensions, Height:	900 mm
Net weight:	66 kg
Shipping height:	930 mm
Shipping width:	710 mm
Shipping depth:	1120 mm
Height adjustment:	-20/40 mm



**Flexy Compact**  
Cashier unit with one stainless steel tubular tray slider on customer side,  
H=900mm  
The company reserves the right to make modifications to the products  
without prior notice. All information correct at time of printing.

2026.03.09